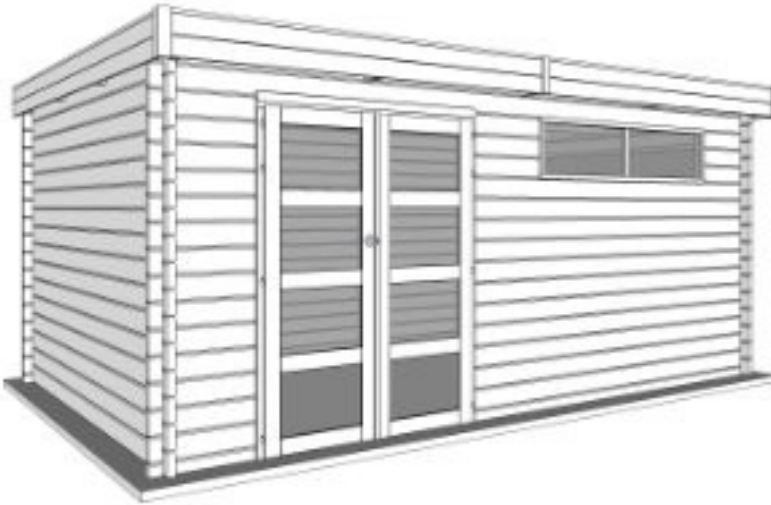


GENERAL ASSEMBLY INSTRUCTIONS FOR MODERN 44MM LOG CABINS WITH STEEL ROOFS

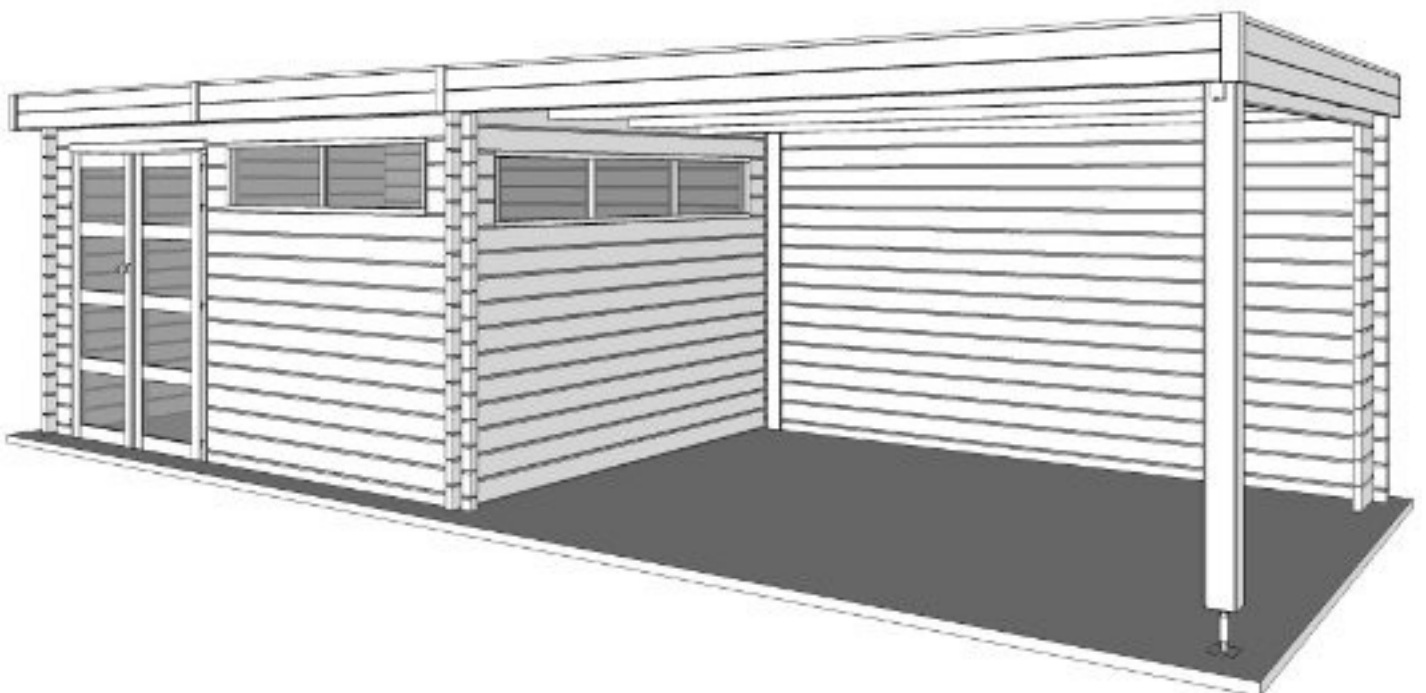
This brochure has been compiled for all our modern log cabins with steel roofs.
The numbers and shapes may differ from the log cabin you have purchased.

DDM04



WOODLANDS

QUALITY CABINS



GENERAL ASSEMBLY INSTRUCTIONS FOR MODERN 44MM LOG CABIN WITH STEEL ROOF

Congratulations on the purchase of your log cabin.

If you read the assembly instructions carefully, you will enjoy your purchase for many years to come.

IMPORTANT!

Before you start assembly, we would like to give you some important information that deserves your attention.

A You have purchased a log cabin made from an untreated natural product. The wood still needs to be treated to ensure a long lifespan. It is best to seek advice from a specialist in the field when choosing your treatment product and maintaining your log cabin. Only use products that penetrate the wood and protect it against moisture, wind and weather, as well as insects and fungi. Do not use products that are so viscous that they prevent a good connection between the tongue and groove and the corner joints. You only have the opportunity to treat the tongue and groove **before** assembly. It is very important to **treat** all parts **on all sides**. This means you must also treat **the inside** of the log cabin.

B It is best to install a waterproof concrete base that is 10 cm larger than the outer dimensions of the log cabin. It is extremely important that your log cabin is level and remains so. Please note that if your structure does not remain stable after installation, gaps and deformations may occur in the log cabin. Ensure that ground moisture and other moisture cannot penetrate the wood by providing adequate ventilation of the log cabin and treating **the inside** of the log cabin against moisture. The bottom logs of your log cabin deserve extra attention, as they will be most exposed to water. Therefore, treat them with extra care. Seal the joint between the log cabin and its base with silicone (not included). Anchor your log cabin to its base (e.g. with L-brackets, not included) to protect it from stormy weather.

C "Wood lives", a saying that also applies to your purchase. In concrete terms, this means that the height of the log cabin varies depending on the humidity. If you install vertical or horizontal structures (e.g. shelves, electrical wiring, storm braces, etc.), you must ensure that you do not impede this natural movement of the wood. If you connect the wood vertically in certain places, gaps will appear between your logs during periods of low humidity, often resulting in deformation of the log cabin. Do not be alarmed if you notice a gap above the door and window during the assembly of your log cabin. These are designed to accommodate shrinkage and expansion. We supply matching cover strips to conceal this gap.

D Remove the parts of your log cabin from the packaging two days before assembly. This will allow the wood to acclimatise to the humidity. Place the logs slightly apart, sheltered from rain and sun. Now carry out a full check using the enclosed parts list. Complaints about materials will not be accepted if the parts have been painted. Complaints must be submitted to us no later than 8 days after delivery.

E Wood is a natural product. This means that slight variations may occur. What are **acceptable** variations?

- Knots,
- Fallen knots no larger than a thumb,
- Fallen knots or slight damage to the edges (tongue and groove) if coverage is guaranteed during assembly,
- Discolouration in the wood,
- Straight cracks that do not split the board, splitting cracks that are no longer than 12 cm,
- Resin pockets of max. 5 cm,
- Wood that is slightly bowed, if assembly is still possible (the pressure of the roof will usually keep the log straight).

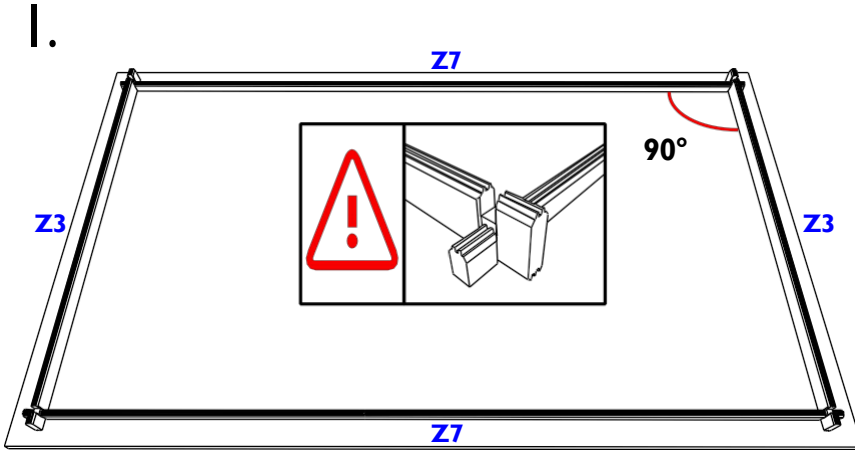
F Ensure that your log cabin **is anchored** to its base (e.g. L-brackets, not supplied). Also ensure that you have effective vertical storm bracing that takes into account the tips mentioned in point C "Wood lives". Gardenas dealers sell our special storm bracing products.

G Do not use nails or screws when assembling the walls. The pressure of the roof with the storm bracing will ensure that your log cabin remains standing. To prevent splitting, we recommend that you pre-drill with a drill bit that is smaller in diameter than the screw.

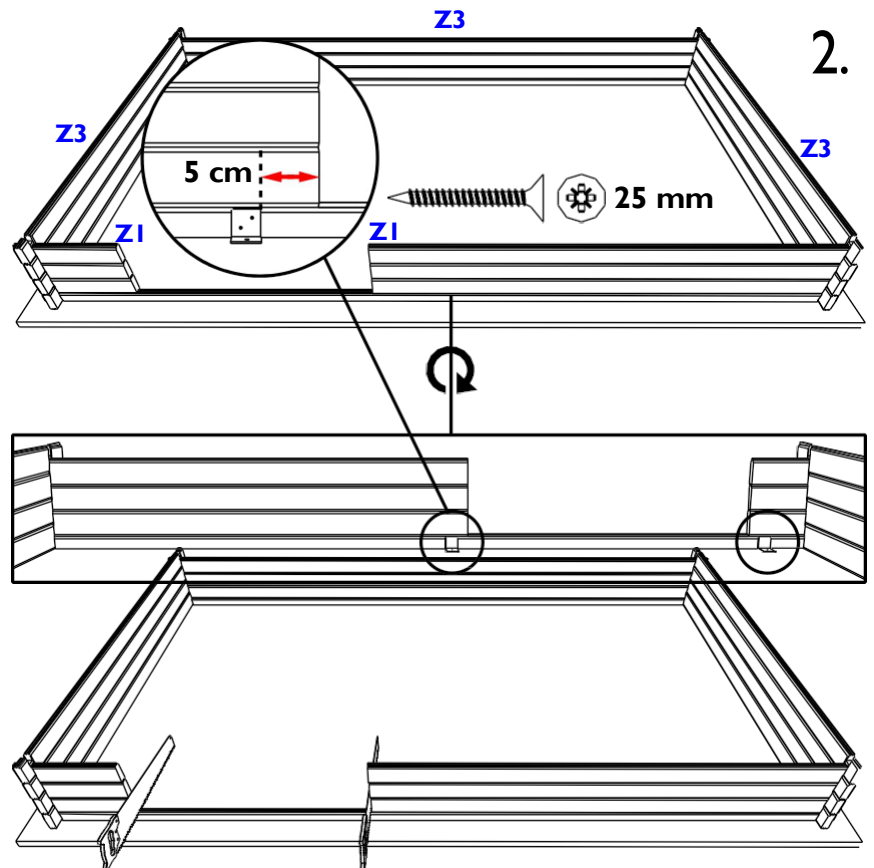
H Is a part damaged during assembly, or are you having trouble figuring it out? Our after-sales service is at your disposal:

- during office hours by telephone: +32 (0)52 21 95 71
- by fax: +32 (0)52 22 09 03 or
- by e-mail sav@gardenas.be
- If you notice any damage to the package, please let us know within 48 hours.

After you have checked the accompanying parts list **and** all parts **are treated**, you can start assembling.
 What do you need? A saw, a protractor, a piece of auxiliary wood, a screwdriver (preferably battery-powered or electric), 2 ladders, a rubber mallet, a drill, a set of spanners, silicone. At least 3 adults are required for assembly.
 Keep children away during assembly.

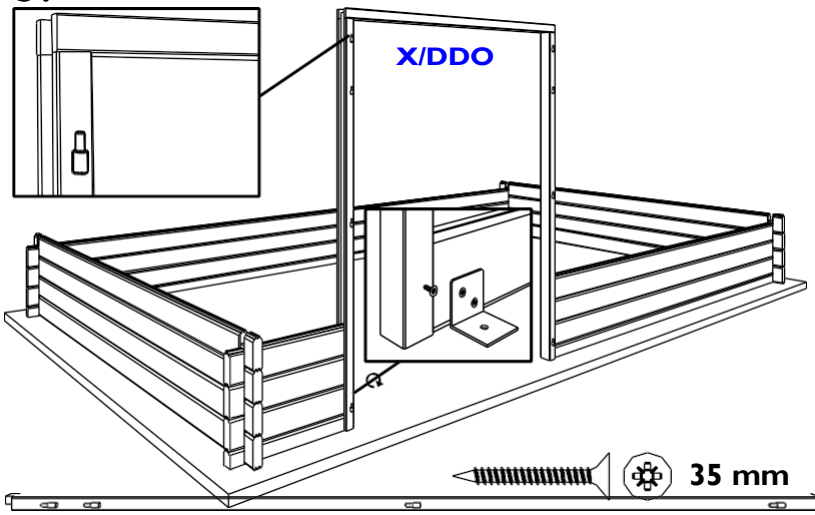


Ensure that you immediately achieve a 90° angle in your corner joint. The tongue should be at the top. The bottom log in the front and rear walls is a half batten with only one tongue, the bottom log of the side wall has tongue and groove. Ensure that the logs rest firmly on the ground.



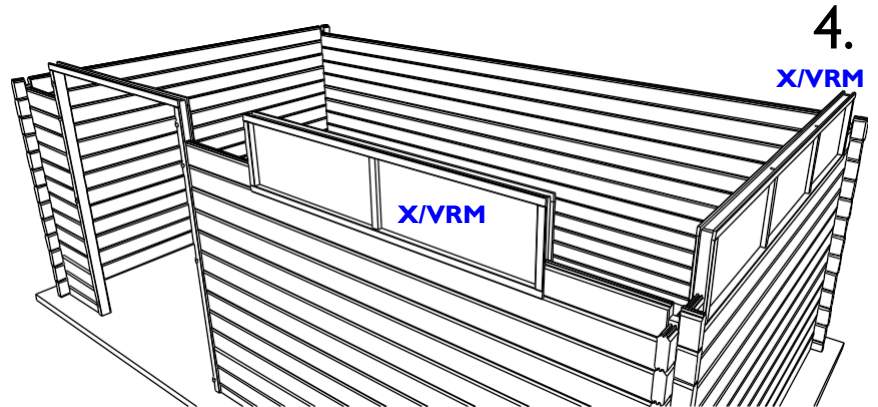
Continue building the log cabin as indicated on the wall drawings in the parts list up to 3 logs high. If the door in your model is not centred, you can choose which side to place the door on. Use a hammer to ensure the logs fit together tightly. However, never strike the wood directly (damage to the tongue can make assembly more difficult), but strike a piece of auxiliary wood or use a rubber mallet.
 To keep your log cabin perfectly square, you need to anchor the front bottom log to the base on both the left and right sides, 5 cm from the door opening and on the inside, using an L-bracket (plugs not included). Now saw out the front log down to the ground as shown in the drawing (level with the parts already assembled next to the door opening).
 The piece you saw off is waste.

3.

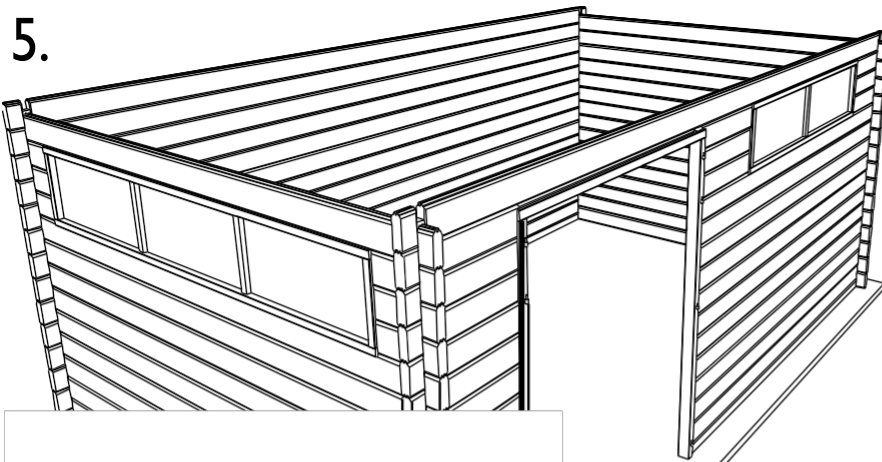


Screw the hinge pin (male part of the hinges) into the pre-drilled vertical jambs (only the left jamb for single door models). Lower the door frame X/DDO (3 parts still to be assembled) into the opening. Make sure that the door opens outwards. **Only attach your frame to the log cabin at the bottom. At the top, screw the horizontal jamb to the vertical jamb, never to the log cabin itself** (see tips and advice 'wood lives'). It is best to finish the door once the log cabin is fully assembled.

Continue building according to the supplied plans (see detailed parts list) until you reach the height of the bottom of the windows (some models have no windows or only one window). Now add one more layer. Lower the window frame X/VRM into the opening. **Do not attach your frame to your log cabin with screws or nails!** ('Wood lives').

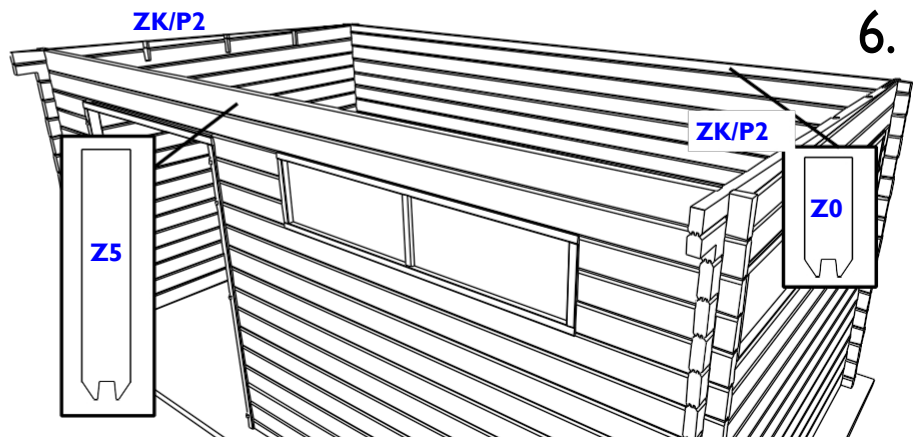


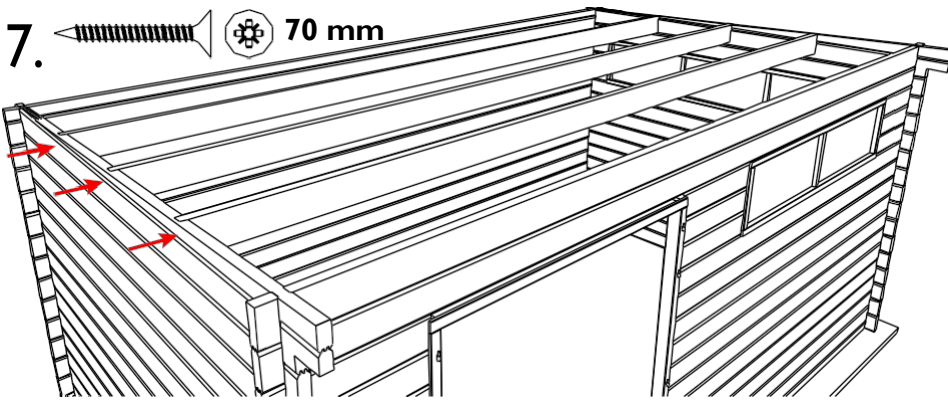
5.



Continue building as indicated on the wall drawings in the parts list until you need to place the slope on the side walls.

Continue building as indicated on the wall drawings in the parts list. Use nails to anchor the various parts of the ZK/P2 roof slopes together. Ensure that the edges slope nicely. The notches need to be on the inside. The top log of the front and rear walls has no tongue, only a groove; in other words, it is flat at the top.

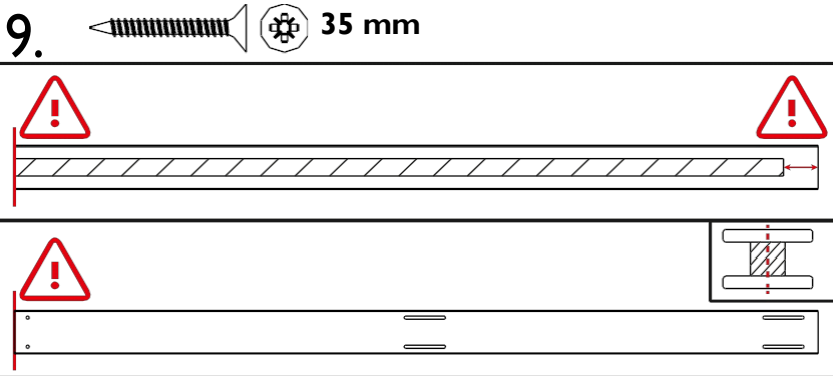
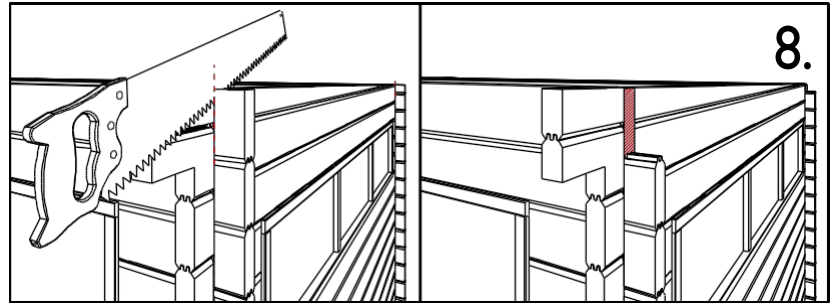




Place the roof rafters P2/P4 in the cutouts of the roof slopes. Secure each rafter to the slope with one 70 mm screw per side (the number of rafters in your log cabin may differ from the drawing).

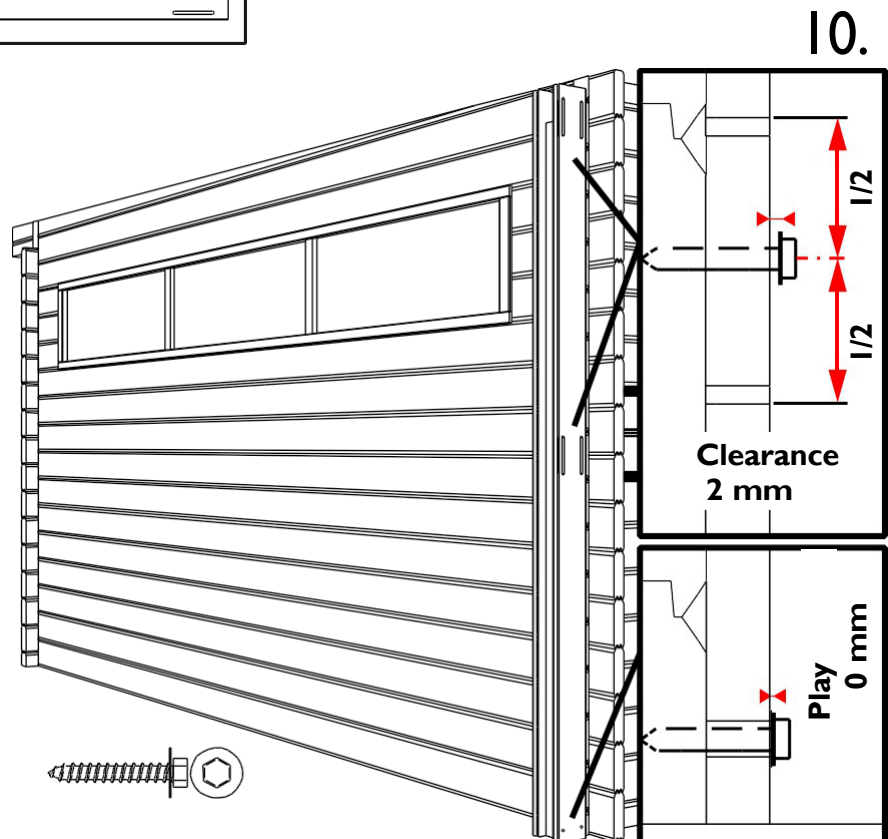
Next follows the explanation for models **with extension**. For models **without extension**, please proceed to step 14 a few pages further on.

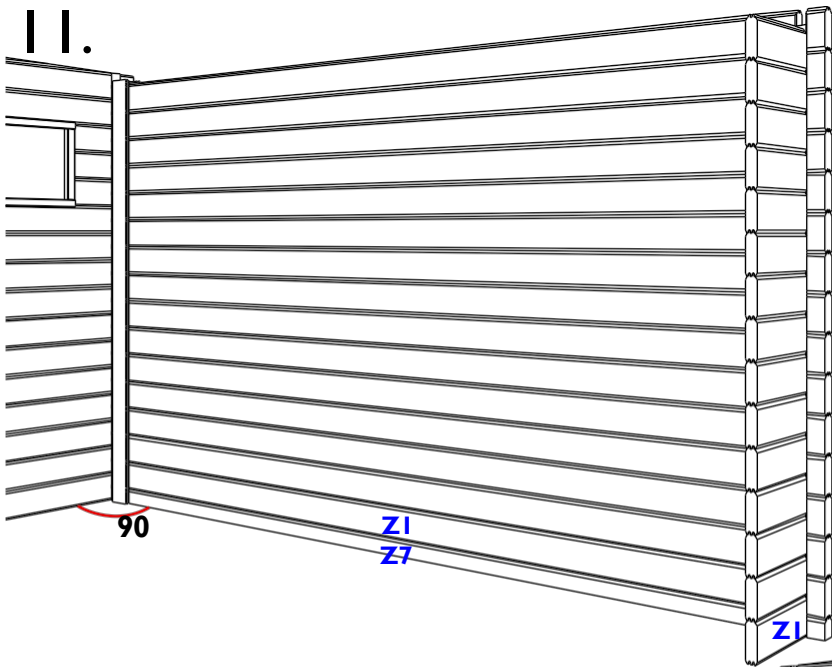
Decide on which side you will place the extension. Saw off the protruding parts of the top battens Z5 (front wall) and Z0 (rear wall) flush with the side wall, only on the side where the extension is to be placed.



Create a T-profile. Screw the decorative batten FSL/2100 onto the small beam S/045/045 using 5 x 35 mm screws. **Please note:** pay attention to the position of the beam: it is flush on one side and the decorative batten protrudes on the other. Attach the decorative batten 599906 in the same way to create an H-profile. **Pay attention to** the position of the two small holes!

Attach the H-profile, with the slots facing backwards, to the protruding parts of the rear wall. **Please note:** use the holes at the bottom (not the slots). Attach a wood threaded bolt with a washer to the bottom log through the hole at the bottom **and tighten**. Now attach a wood threaded bolt with a washer to each slot **without tightening it** against the batten; there should still be a little movement on the batten so that the wood can still 'move'. Pre-drill each hole to prevent the wood from splitting.

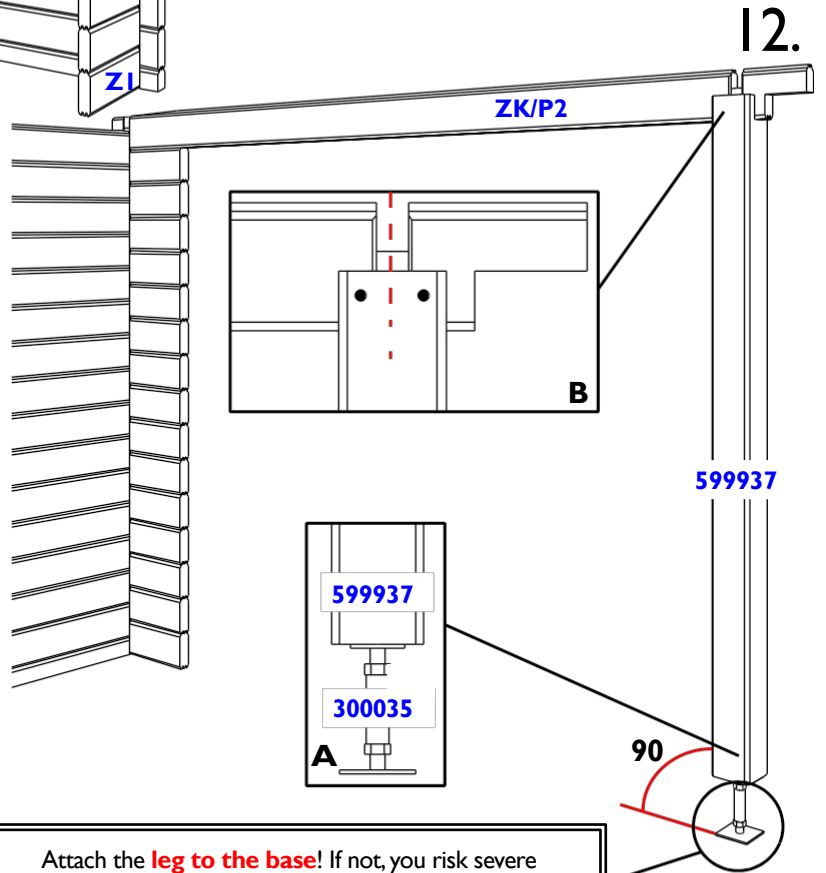




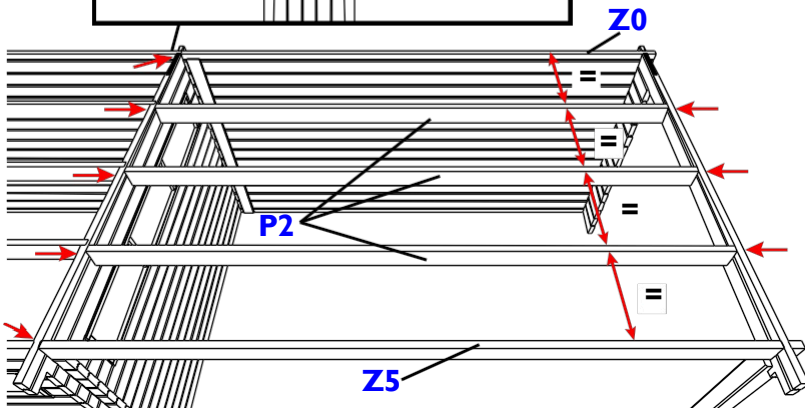
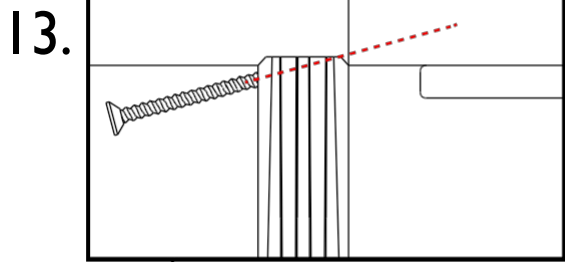
Build the rear wall with a return in the same way as the log cabin. Start with a half batten Z7 with a tongue. Use all Z1 pieces. Ensure that the wall is perpendicular to the side wall. Attach the wall to the H-profile as described in step 10.



Fit an adjustable foot 300035 to the post 599937 with 4 wood threaded bolts with washer (detail A). Then place the bottom log of the slope on the rear wall and in the slot at the top of the post. Connect the post and log using 2 x 100 mm screws (detail B).



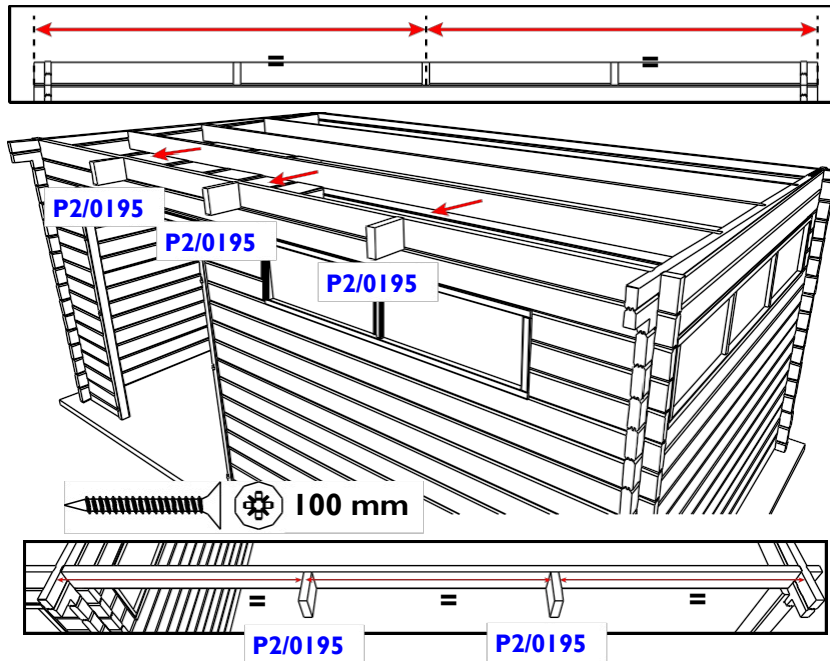
Attach the **leg to the base!** If not, you risk severe damage in **stormy weather.**



Finally, place log Z0 on the rear wall and log Z5 on the front wall. Secure these Z0 and Z5 to the side wall with a 100 mm screw, see detail. Also install the top log of the slope. Finally, secure the roof rafters P2, evenly spaced, between the slope of the log cabin and the slope of the extension. Secure with two 100 mm screws on each side through the slope.

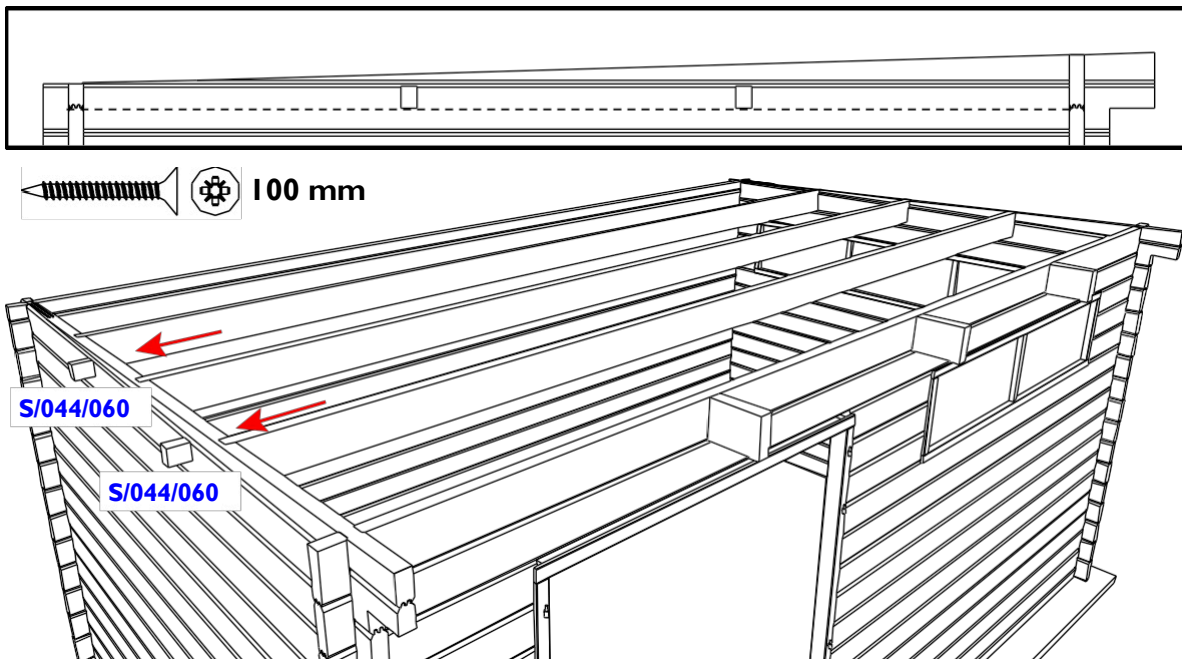
Next follows the explanation for further assembly of the models with and without extension.

14.



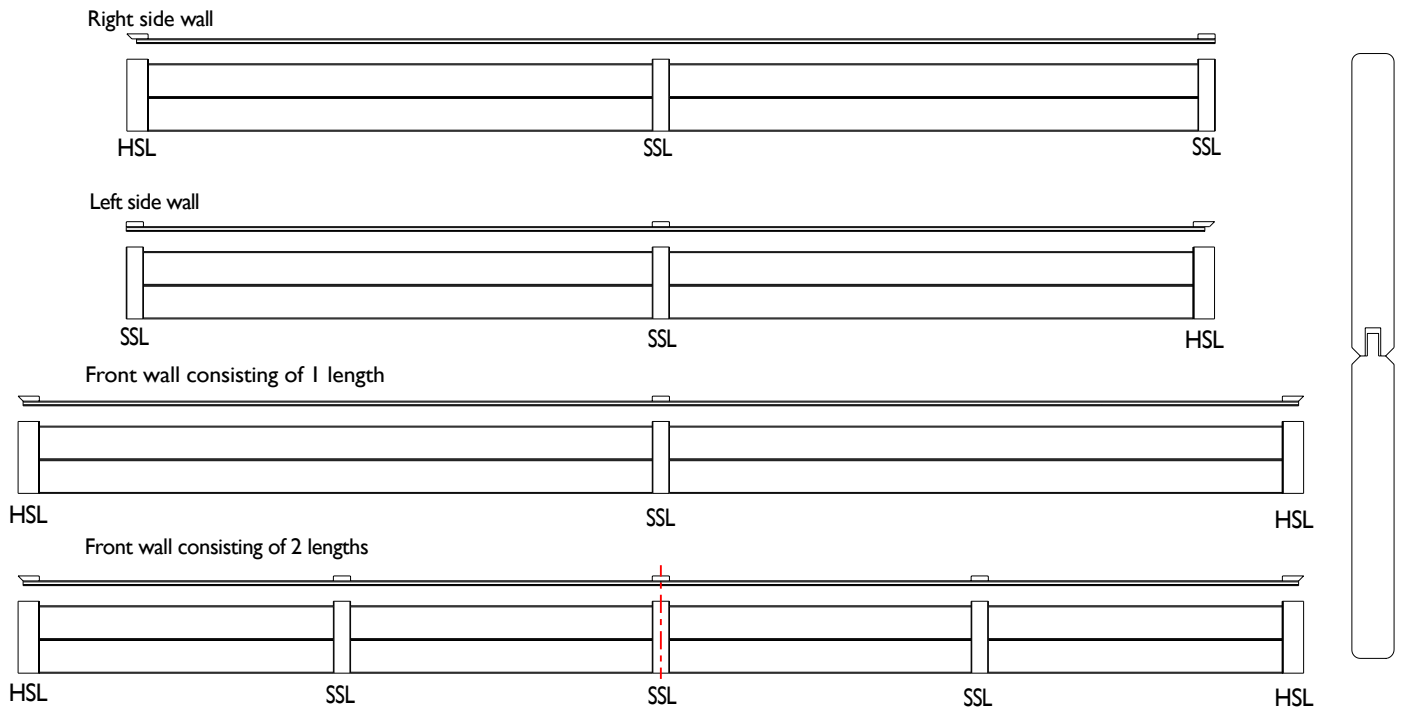
Screw the auxiliary roof rafters P2/0195 in place using two 100 mm screws through the front wall into the end grain of the rafter. Keep the top of the auxiliary rafters level with the top of the front wall. Mount the central auxiliary rafter perfectly in the middle of the front wall. Distribute the remaining auxiliary rafters symmetrically (equal spacing between all auxiliary rafters). If you purchased it, do the same for the extension.

15.



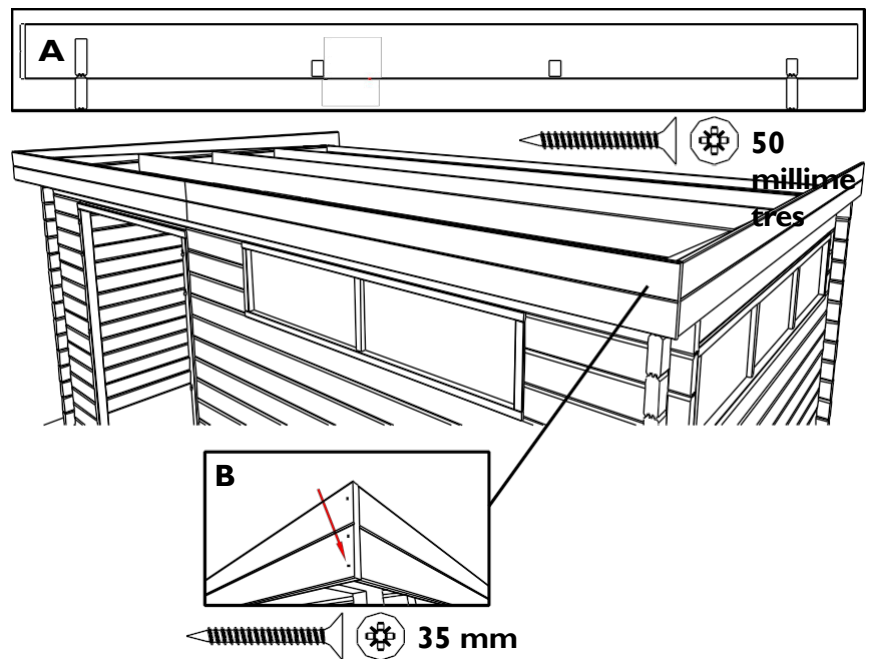
Screw the S/044/060 blocks together using 1 screw of 100 mm through the side wall (extension slope) into the end grain of the block. Keep the bottom of the block level with the bottom of the front overhang. Distribute the blocks symmetrically across the side wall (the number of blocks in your log cabin may differ from the drawing).

16. Now assemble the decorative battens FSLM. Mount the decorative batten with tongue (FSLMA) into the one with groove (FSLMB) and fasten the two battens together using the small battens HSL/0230 and SSL/0230 (see drawing below).



17.

Place the front decorative battens FSLM on the sides, Flush with the bottom of the blocks (detail A). Screw each in place with two 50 mm screws into the walls and blocks. Now place the front decorative trims FSLM at the front (in several parts on some models). Screw them to the auxiliary roof rafters and side walls. There is no similar decorative batten at the rear due to potential problems with moisture. Also screw end grain into the side decorative battens with three 35 mm screws (detail B).



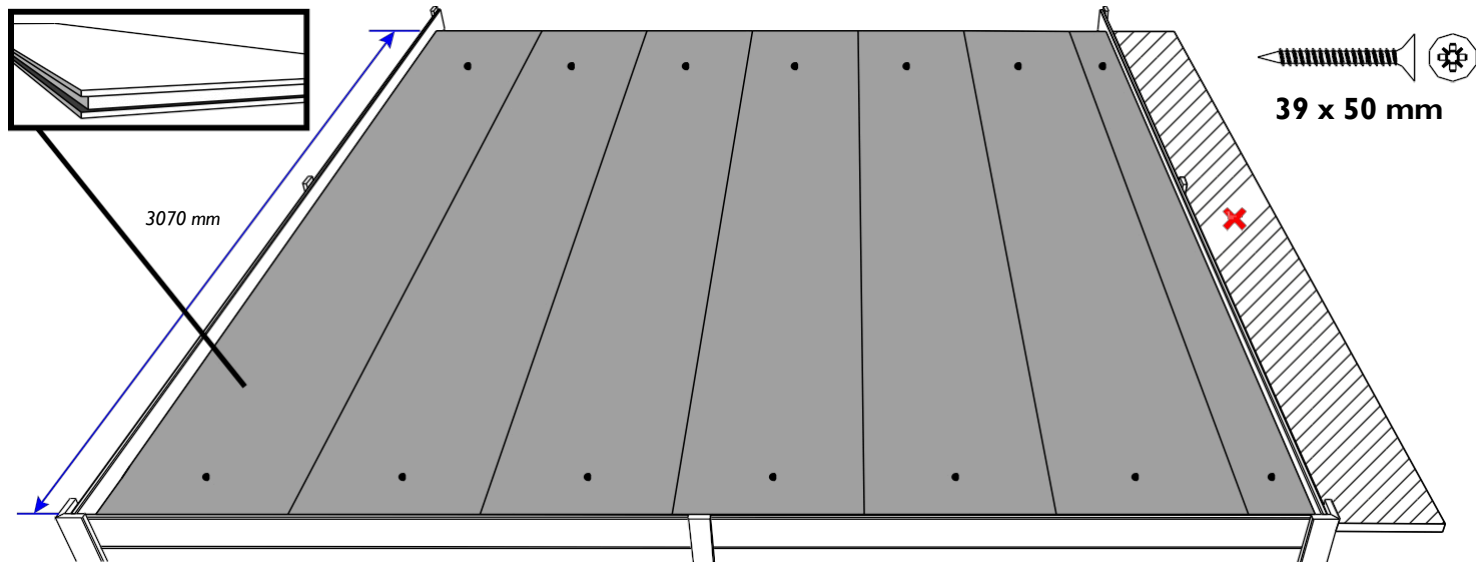
* Version with insulation

Placing the insulation:

To make it easier to position the screws later, it is best to mark where the roof rafters are located. Start at the front left corner with a full sheet, positioning it so that the **grooves** are against the FSLM decorative trims. Allow for a 25 mm expansion **joint** along the side of your roof. Secure with 50 mm screws in a roof rafter. You will later fasten the steel roof sheets to the rafters with screws through the insulation; the 50 mm screws are only used to hold everything in place for the time being.

Log cabins with a wall depth of 2950 mm (ref. 4601(EXT), 4603(EXT), 4605(EXT))

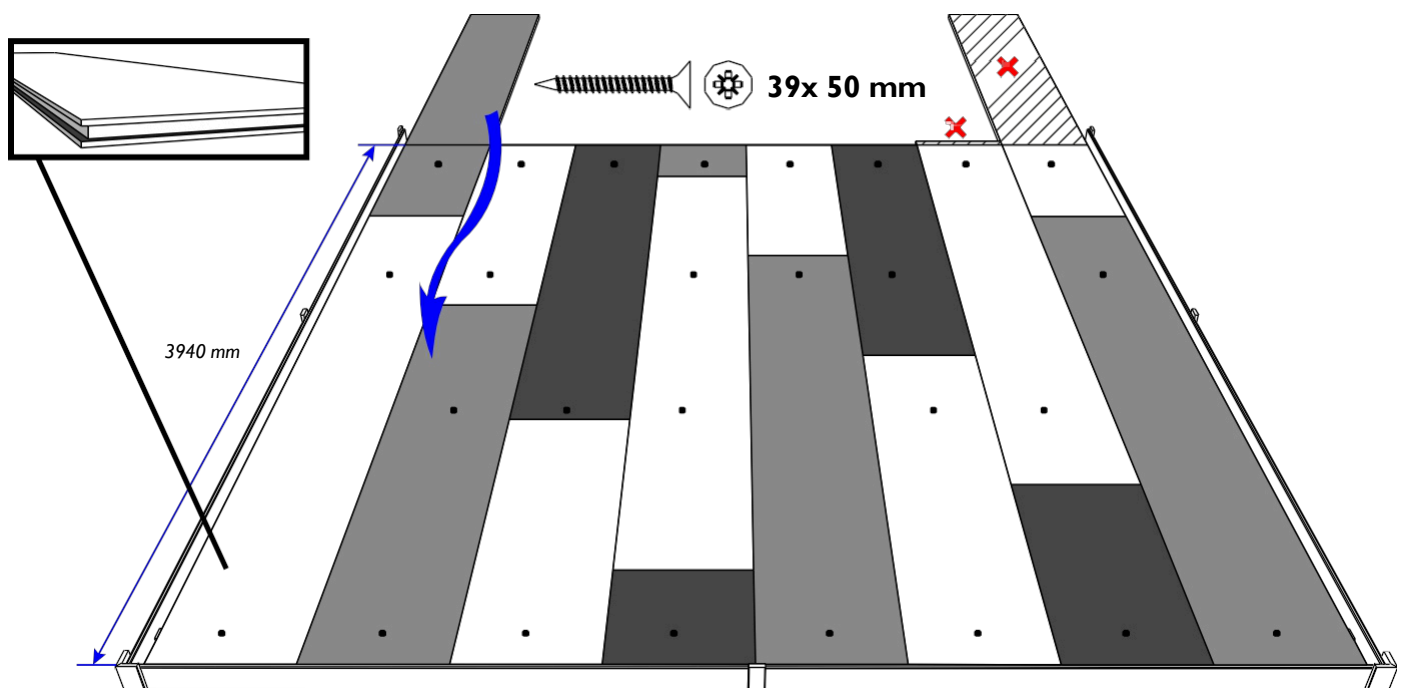
Place all sheets next to each other. Depending on the model, you may need to cut the last sheet to width. Maintain a 25 mm gap on the sides.



Log cabins with a wall depth of 3850 mm (ref. 4602(EXT), 4604(EXT))

After placing the first full sheet, cut 870 mm from a new sheet on the side with the groove. Place this behind the first sheet. Secure both with 50 mm screws.

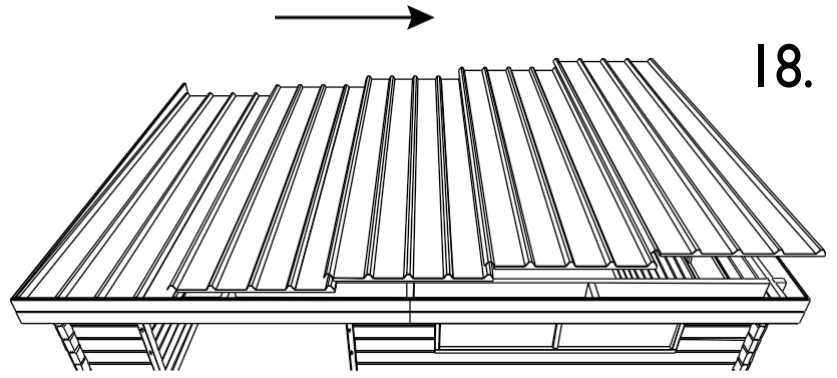
Start the second row with the remaining piece and continue as shown in the diagram below. After seven rows, start with a new full sheet.



Now place the PPD1AC roof sheets.


ATTENTION! Depending on the model purchased, the placement of the sheet may differ from the image shown. Consult the parts list for a detailed overview. Mark the position of the roof rafters and walls with a pencil line on the outside of the first and last sheet. Wait to fix them until all sheets have been installed.

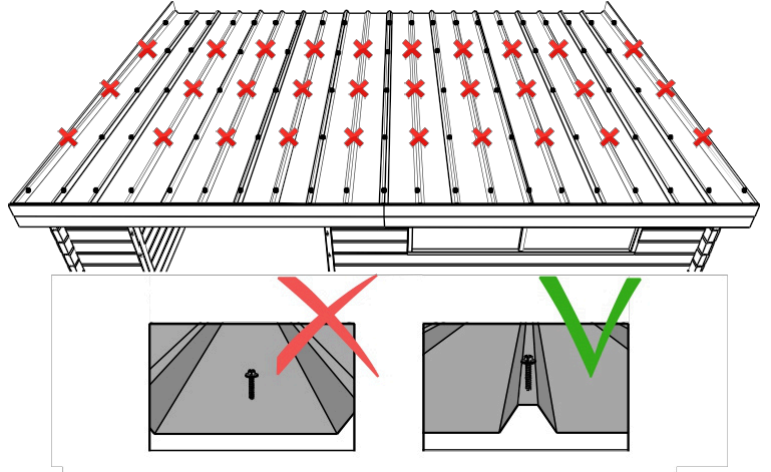
ATTENTION! Ensure that the outer corrugation without anti-condensation fabric overlaps the previous sheet.



18.

19.

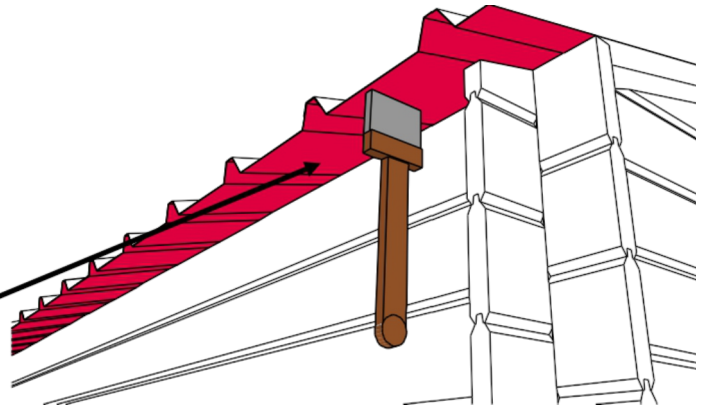
 = Do not drill or screw.



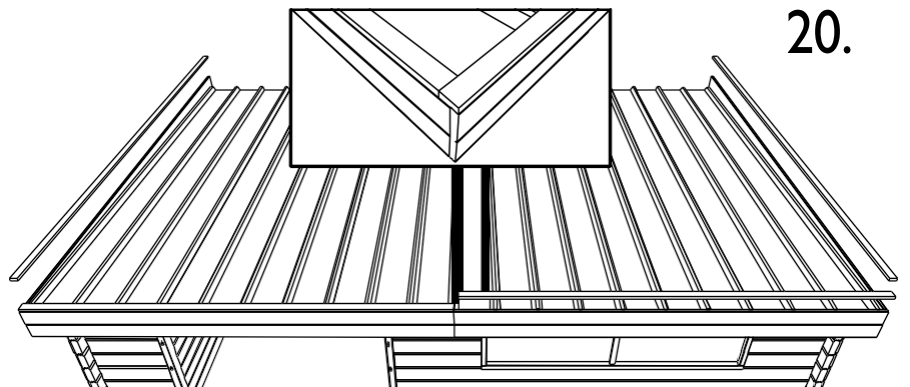
Check that the sheets are properly aligned. Mark the centre of the roof rafters and walls at the top of the sheets by connecting the pencil lines with a long slat or string. Drill through the steel of the roof sheet with a 5 mm drill bit and remove all iron filings. **Important!** Always drill through a corrugation and never through the flat part of the sheet. Drill each corrugation on the front and rear walls. On the rafters, drill where the sheets overlap, once in the centre of the sheet and once on the outer edge.

Now screw the sheets in place using the screws with caps. Seal the joint between the sheets and the decorative trims all around with silicone (not included).



Caution! Impregnate the lower part of the anti-condensation fabric that protrudes **beyond** the side walls thoroughly with, for example, a clear varnish. This is to prevent the anti-condensation fabric from absorbing **water** and also to prevent **moss formation**.



Now screw the SSL45 storm battens onto the FSLM front battens. Use 5 x 35 mm screws per batten. Start with the front one (in two parts on some models) and then the one on the side. These SSL45 battens still need to be cut to length.

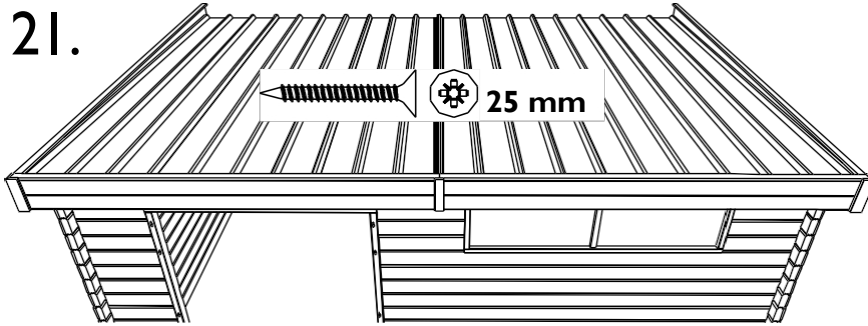


20.

  35 mm

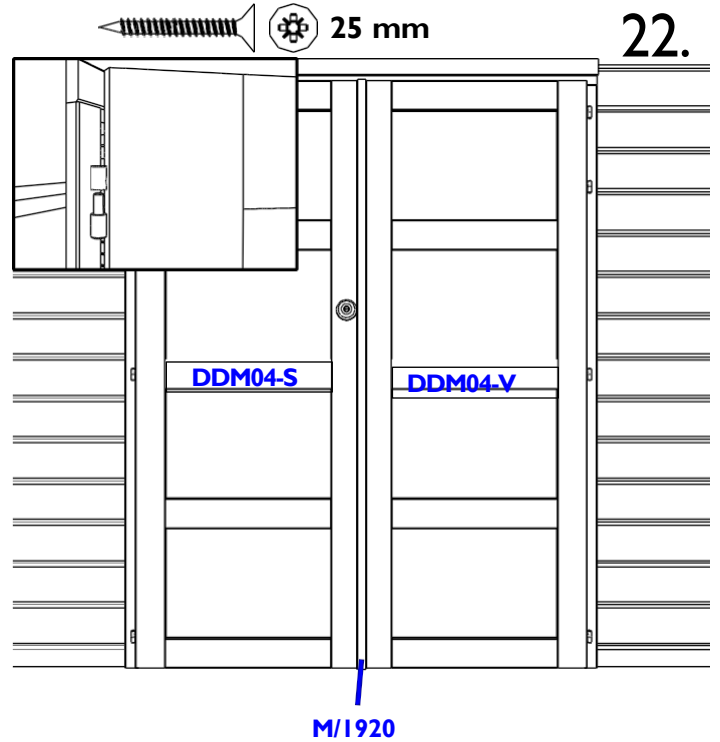
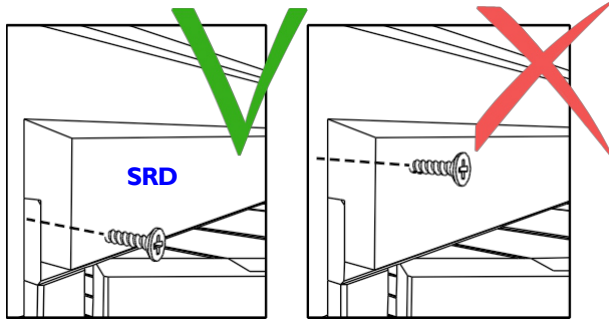


21.



Finally, the L-profiles are added to the two front corners to cover the joint of the frontal decorative battens. These L-profiles are formed by mitering two corner battens HSL against each other and screwing them with 25 mm screws. For models with FSLM in several Parts, add a small SSL batten where two FSLM parts meet.

Now install the doors using the hinges supplied. Screw the hinge knuckle (female part of the hinges) into the door and hang it up. By turning the hinges in or out, you can position the door leaves until they hang straight. Please refer to the manual for the lock for instructions on installing the handle. Place the M/1920 latch on the outside of the door with the handle using 5 x 25 mm screws. Place the SRD decorative batten on top of the door frame on both the inside and outside. This serves to conceal the opening at the top while the wood is working (cf. 'wood lives'). Secure with 25 mm screws **on the door frame**.



22.

23.

Seal the following items with silicone (not included):

- The joint between the log cabin and its base on the outside,
- Around the glass.



To make your log cabin storm-resistant to wind and weather, you will need to install storm bracing. This connects the roof and walls to the base. So make sure it is properly secured to the ground. Always ensure that you do not obstruct vertical shrinkage and expansion (see 'wood lives'). Gardenas dealers sell our standard storm bracing. An alternative is to attach a screw to both the top and bottom logs and stretch a nylon cord between them. In any case, you must ensure that the force of the storm bracing does not cause the wall to bulge.

If this is the case, you must adjust the bracing.

Maintenance: water, wind, snow and sun are the main enemies of your log cabin. Ask a specialist for advice if you have any questions about products, timing, etc. for treatment.

WARRANTY

The product is made of wood, a natural product that, due to its outdoor placement, will continue to "live" and therefore requires ongoing attention. Assembly, treatment and anchoring will be carried out by or on behalf of the customer. Gardenas is therefore responsible for and provides a warranty on the product and its components themselves, but not for the consequences of incorrect assembly, missing or inadequate anchoring, or incorrect or inadequate maintenance.

How long?

Unless otherwise stated, Gardenas offers a 5-year warranty on its products. Fittings and roofing are covered by a 2-year warranty. Products sold as pressure-impregnated are covered by an extended 10-year warranty against rot, mould and insect damage to the wooden parts.

The warranty period starts from the date of purchase.

What is covered by the warranty?

- The structural design of the product for safe and normal use.
- The correctness of the parts in terms of quantity and shape upon delivery. Any deviations must be reported no later than 14 days after delivery.
- The warranty is limited to the replacement of defective, damaged or unusable parts.

What is not covered by the warranty?

- Costs of (re)installation, production, assembly, treatment.
- Parts that are no longer in their original condition.
- Defective parts that were installed anyway.
- Minor deviations from the natural material, whether or not specified in the manual, which do not compromise the stability and expected lifespan of the product (e.g. knots, cracks, discolouration, slight deformations that can be assembled and will have no impact after assembly or will be invisible after assembly, etc.).
- Damage, deformations or defects resulting from ignoring to strictly follow the advice and instructions in the product manual and/or incorrect or careless use of the product, as well as damage caused by poor foundations.
- Damage and degradation and their consequences due to inadequate treatment of the product.
- Damage caused during transport and storage, whether or not due to extreme humidity, if transport and storage were not carried out under Gardenas' management.
- Damage caused by third parties, animals, insects (except if the product was delivered pressure-impregnated) and termites.
- Natural ageing or discolouration of the product.
- Damage caused by a roof load (e.g. snow) of more than 50 kg/m².
- Direct or indirect damage to items and materials stored in or under the product.
- Consequences of force majeure: storms, natural disasters, floods, vandalism, etc.

Parts availability and delivery

Gardenas guarantees the availability of all parts or a valid alternative for each part for up to 5 years after purchase of the product, regardless of whether the part is still under warranty or not.

Gardenas will make every effort to provide any replacement parts as quickly as reasonably possible. Gardenas will deliver the parts in the same manner and to the same location as it delivered the original product.